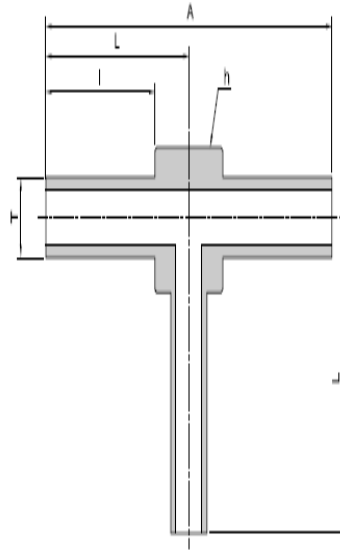


*Long Tee*  
**WCLT**



Part No.	T		Wall Thickness	A	l	h		L	Pressure Rating (psi)
	in	mm				in	mm		
WCLT-04	1/4	6.35	0.89	62.5	19.1	7/16	11.11	31.2	5100
WCLT-06	3/8	9.52	0.89	61.0	19.1	7/16	11.11	30.5	3300
WCLT-08	1/2	12.70	1.24	68.1	19.1	11/16	17.46	34.0	3700
WCLT-12	3/4	19.05	1.24	73.9	19.1	15/16	23.81	37.1	2400