

Gauge Root Valves • SRV/SRGV/SRGV2 Series



SRV, SRGV, SRGV2 Series

Uni-Lok Gauge Root Valves offer a safe and economical method of installing pressure switches, gauge and differential transmitters. By offering multiple outlets, these valves can accommodate a variety of gauge positions and handle operations. They are suitable for block and bleed where a purge valve, sampling line, or test pressure source is required.

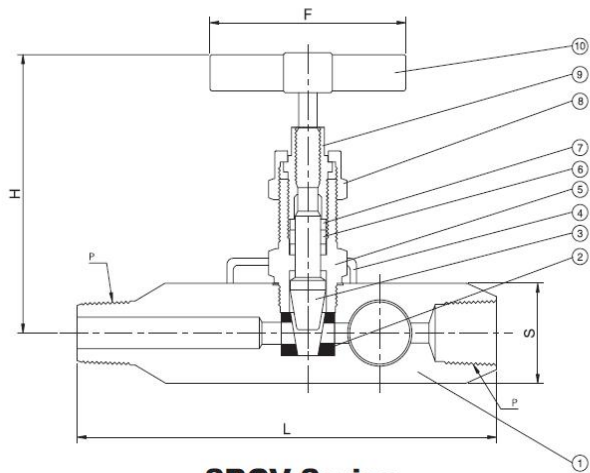


Features

Pressure rating up to 6000psi(413bar) at 38°C(100°F)
 Temperature rating from -53°C(-65°F) up to 523°C(973°F) with optional Grafoil packing.
 Usage at greater than 93°C(200°F) is not recommended

Materials of Construction

No.	Description	Materials
1	Body	316SS
2	Seat	PTFE
3	Stem	316SS
4	Hex Stopper	304SS
5	Bonnet	316SS
6	Packing	PTFE
7	Packing Ring	316SS
8	Packing Nut	316SS
9	Spindle Bushing	316SS
10	Handle	304SS



SRGV Series

Test

Every valve is 100% factory tested with air and nitrogen at 1000psi(69bar) for leakage at the seat. Each test is performed to a maximum allowable leak rate of 0.1scc/min.

Table of Dimension

Part No.	End Connection P		Dimensions(mm)			
	Process	Instrument	L	H	F	S
SRGV-08N	1/2" NPT	1/2" NPT	136.0	87.0	50.0	32.0

Gauge Root Valves • SGV/SGRV/SGRV2 Series

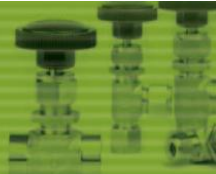
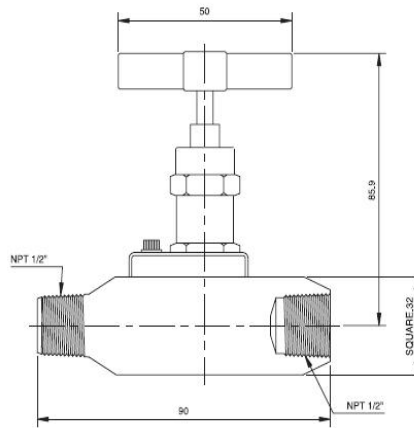
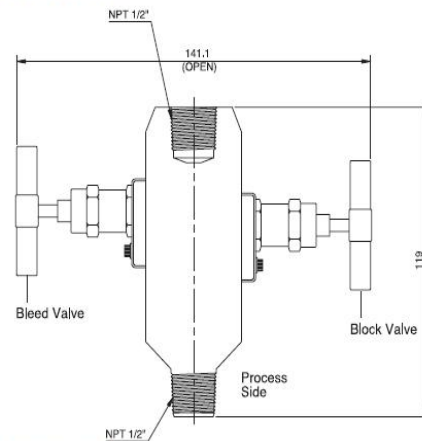
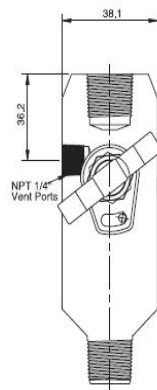


Table of Dimension



SRV Series



SRGV2 Series

How to Order

Part No.	End Connection		Orifice(mm)	Seat	Stem Packing	Body Length
	Process	Instrument				
SRV-08N	1/2"NPT	1/2"NPT	5.0	316SS	PTFE	90.0
SRGV-08N	1/2"NPT	1/2"NPT	5.0	316SS	PTFE	136.0
SRGV-12N	3/4"NPT	3/4"NPT	5.0	316SS	PTFE	136.0
SRGV-08N-12N	1/2"NPT	3/4"NPT	5.0	316SS	PTFE	136.0
SRGV-12N-08N	3/4"NPT	1/2"NPT	5.0	316SS	PTFE	136.0
SRGV2-08N-12N	1/2"NPT	3/4"NPT	5.0	316SS	PTFE	119.0
SRGV2-12N-08N	3/4"NPT	1/2"NPT	5.0	316SS	PTFE	119.0