

Manifold Valves • 2-Valve Manifold

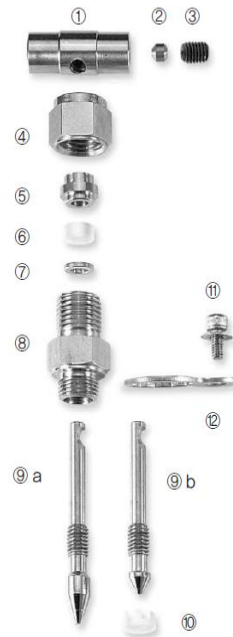


2-Valve Manifold

Uni-Lok 2-Valve Manifolds offer safety and reliability in a general purpose design. The simple 2-Valve configuration allows for easy block, bleed and calibration of a static pressure transmitter or gauge. Valves are available with either metal seats or replaceable soft seat inserts. Connections are 1/2" female NPT on all three ports.

Materials of Construction

No.	Description	Material
1	Handle	Stainless Steel
2	Handle Pin	17-4PH Stainless
3	Set Screw	
4	Packing Nut	Stainless Steel
5	Upper Gland	
6	Packing	PTFE/Grafoil
7	Lower Gland	316SS
8	Bonnet	
9a	Stem(Needle Tip)	
9b	Stem(Vee Tip)	Delrin
10	Soft Seat(Vee Tip)	
11	Cap Screw	Stainless Steel
12	Lock Plate	
13	Manifold Body	316SS



Manifold Valves • 2-Valve Manifold

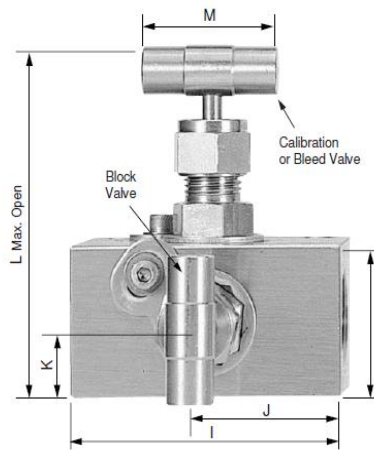
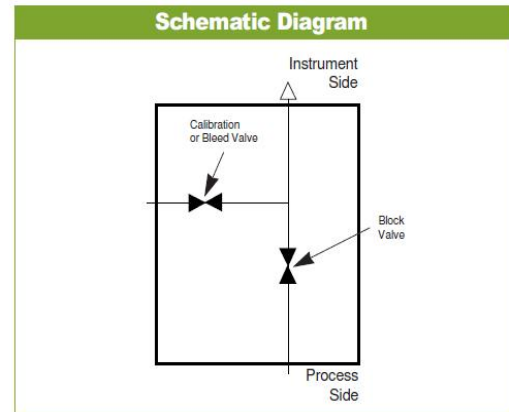
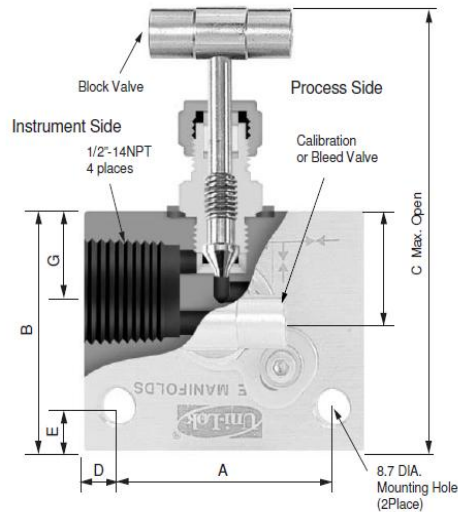


Table of Dimensions

Unit : mm

A	B	C(Open)	D	E	F	G	H	I	J	K	L(OPEN)	M
47.5	51.0	99.0	8.0	9.5	9.5	16.0	34	63.5	31.7	17.0	78.5	32.0

Technical Data for Proper Manifold Selection

Unit : mm

Stem Design	Port No.	Seat	Pressure Rating	Pressure Rating Max. Temperature	Packing
Needle Tip	2VMNT-8N-SS	316SS	413 bar from -54°C to 38°C (6000psi from -65°F to 100°F)	284bar @232°C (4130psi @450°F)	PTFE
	2VMNG-8N-SS			233 bar @454°C (3380psi @850°F)	Grafoil
Vee Tip	2VMD-8N-SS	Delrin		172 bar @121°C (2500psi @250°F)	PTFE