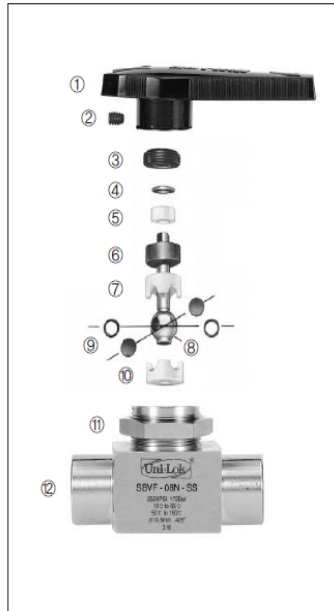


SBVU, SBVF Series (2Way)



Materials of Construction

No.	Description	316SS Valves	No.	Description	316SS Valves
1	Handle	Nylon	7	Upper Packing	PTFE
2	Set Screw	Steel	8	Ball Stem	316SS
3	Packing Bolt	316SS	9	Side Disk	316SS
4	Upper Gland	316SS	10	Lower Packing	PTFE
5	Bushing Lower	PTFE	11	Panel Nut	304SS
6	Lower Gland	316SS	12	Body	316SS

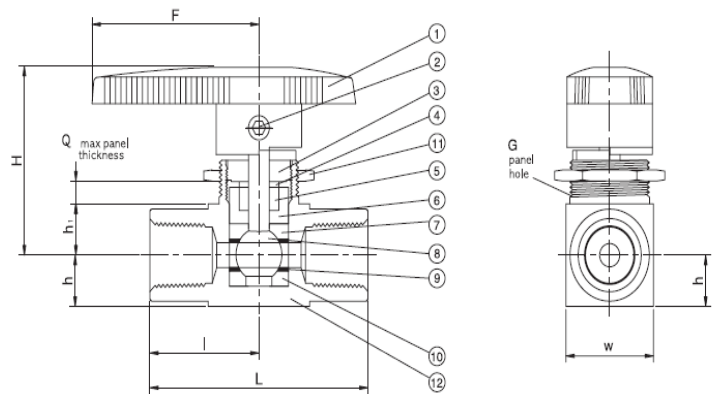


Table of Dimension

SBVU Series

Unit : mm

Part No.	Applicable Tube T		Orifice	Cv	L	I	h	h1	H	G	Q	W	F
	Nom size	O.D.											
04-SBVU	1/4	6.35	4.8	2.4	60.4	30.2	9.4	11.1	39.6	19.8	4.8	19.8	38.8
06-SBVU	3/8	9.52	4.8	1.5	64.0	32.0	9.4	11.1	39.6	19.8	4.8	19.8	38.8
08-SBVU	1/2	12.70	10.3	12.0	100.0	50.0	17.5	17.5	61.9	38.1	9.4	38.1	76.2
12-SBVU	3/4	19.05	10.3	6.4	100.0	50.0	17.5	17.5	61.9	38.1	9.4	38.1	76.2
M06-SBVU	6	6	4.8	2.4	60.4	30.2	9.4	11.1	39.6	19.8	4.8	19.8	38.8
M08-SBVU	8	8	4.8	1.5	62.0	31.0	9.4	11.1	39.6	19.8	4.8	19.8	38.8
M10-SBVU	10	10	4.8	6.0	62.0	31.0	9.4	11.1	39.6	19.8	4.8	19.8	38.8
M12-SBVU	12	12	10.3	12.0	100.0	50.0	17.5	17.5	61.9	38.1	9.4	38.1	76.2
M20-SBVU	20	20	10.3	6.4	100.0	50.0	17.5	17.5	61.9	38.1	9.4	38.1	76.2

SBVF Series

Unit : mm

Part No.	P (NPT)	Orifice	Cv	L	I	h	h1	H	G	Q	W	F
SBVF-04N	1/4	4.8	0.9	52.3	26.2	9.4	11.1	39.6	19.8	4.8	19.8	38.8
SBVF-06N	3/8	10.3	6.3	79.2	39.6	17.5	17.5	61.9	38.1	9.4	38.1	76.2
SBVF-08N	1/2	10.3	6.3	79.2	39.6	17.5	17.5	61.9	38.1	9.4	38.1	76.2

Male ISO Tapered Threads are available for all SBVF Series. Add "R" as a suffix instead of "N"
 Note : Dimensions are reference only, subject to change without prior notice.